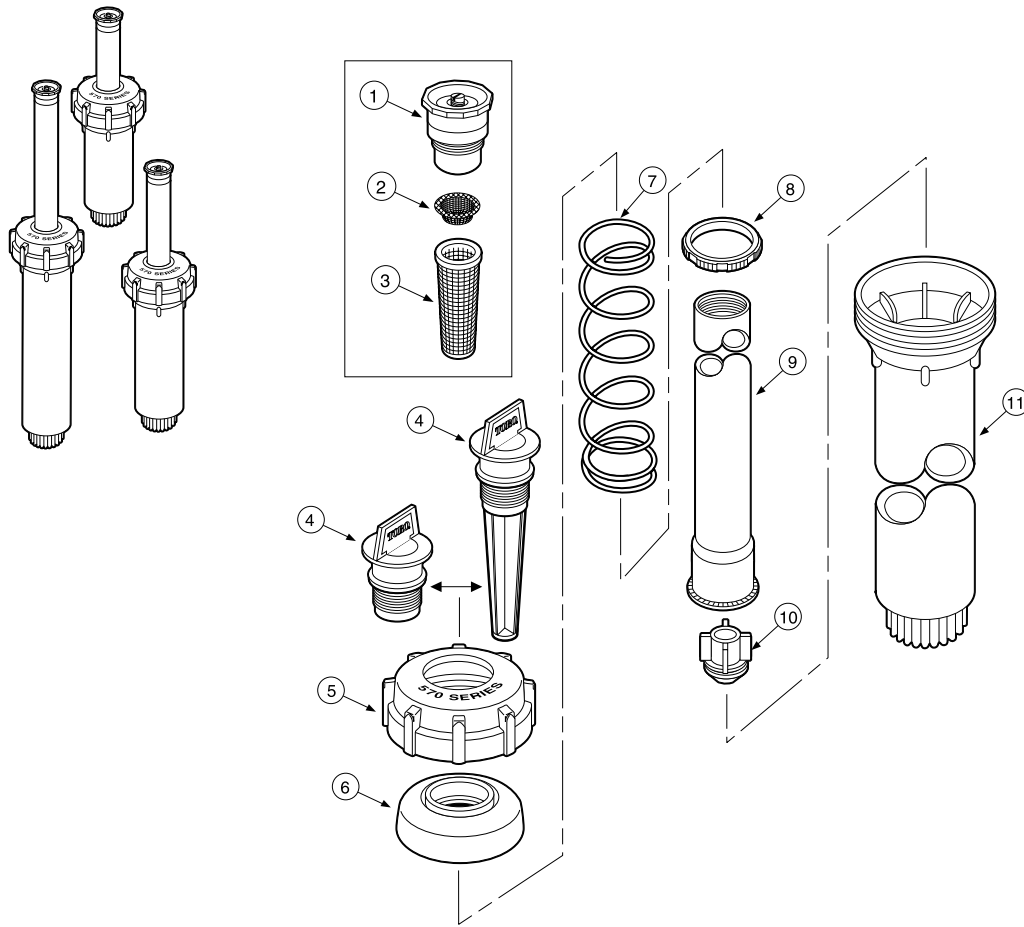


570Z-2P, 570Z-3P, 570Z-4P & 570Z-PRX-4P



Item No.	Part No.	Description	Quantity Per Assy.
1	FG	Nozzle	1
2	89-5548	Screen, Filter, SST	1
3	9-5112	Screen, Riser (White Plastic, Regular Mesh)	1
3	89-8738	Screen, Riser (Red Plastic, Fine Mesh)	1
4	-----	Flush Plug	1
4	89-3747	Cap	1
5	89-8210	Cap, COM	1
5	102-0562	Cap, Lavender	1
6	89-3746	Seal, Cap	1
7	89-5640	Spring, 570-2P	1
7	89-5920	Spring, 570-2P, COM	1
7	35-4879	Spring, 570-3P	1
7	35-9631	Spring, 570-3P, COM	1
7	35-3077	Spring, 570-4P	1
7	35-9632	Spring, 570-4P, COM	1
8	89-0463	Retainer, Spring	1
9	89-5642	Riser, 2P	1
9	89-0967	Riser, 3P	1
9	89-0969	Riser, 4P	1
10	89-5896	COM Assy.	1
11	89-5641	Body, 2P	1
11	89-0966	Body, 3P	1
11	89-0968	Body, 4P	1
SERVICE ITEMS			
	89-3997	Cap Assy. (Includes Items 5 & 6)	
	89-8256	Cap Assy., COM (Includes Items 5 & 6)	
	102-1211	Cap Assy., Lavender (Includes Items 5 & 6)	
	102-0971	PRX Riser Assy., 4P (Includes Items 4 & 9)	
	102-0973	PRX Riser Assy., 4P, COM (Includes Items 4, 9 & 10)	