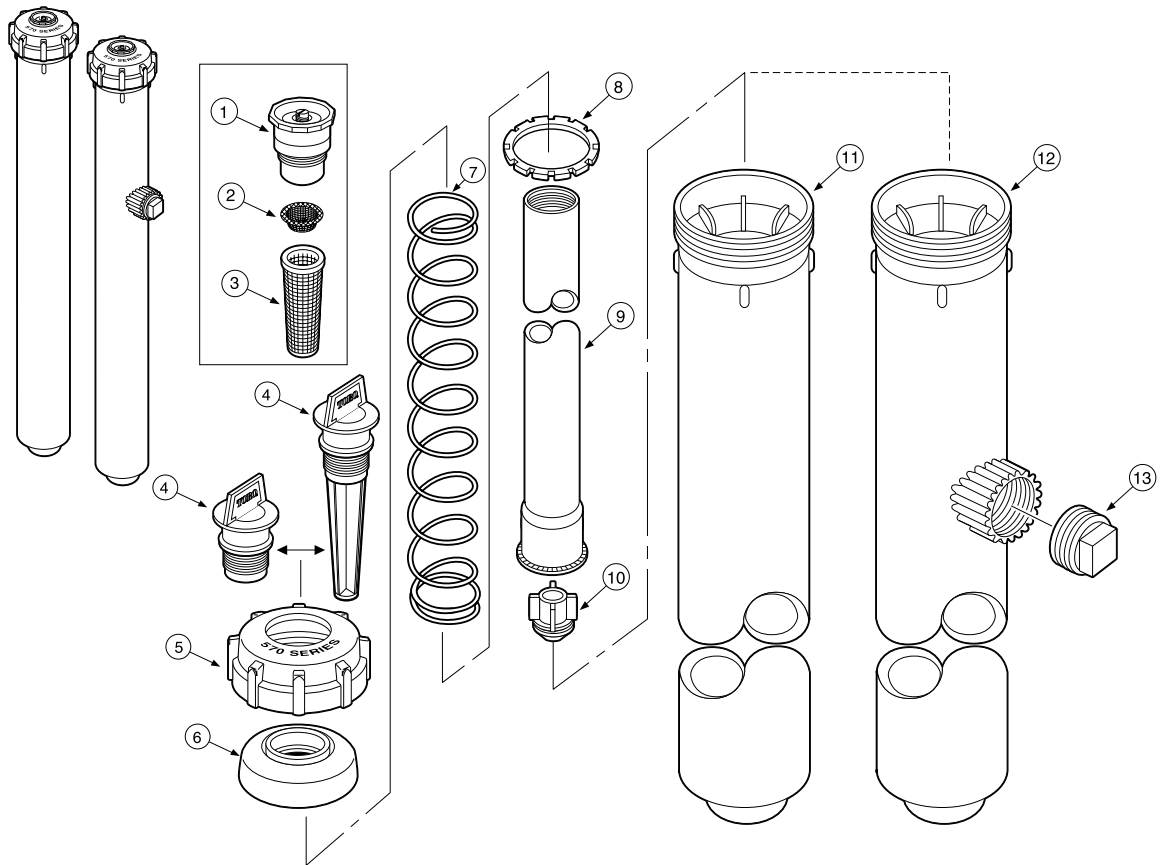


570Z-12P, 570Z-12P SI & 570Z-PRX-12P



Item No.	Part No.	Description	Quantity Per Assy.
1	FG	Nozzle	1
2	89-5548	Screen, Filter, SST	1
3	9-5112	Screen, Riser (White Plastic, Regular Mesh)	1
3	89-8738	Screen, Riser (Red Plastic, Fine Mesh)	1
4	-----	Flush Plug	1
5	89-8210	Cap	1
5	102-0562	Cap, Lavender	1
6	89-3746	Seal, Cap	1
6	89-5987	Seal, Cap, SI	1
7	35-6872	Spring, Return	1
7	35-9634	Spring, Return, COM	1
8	89-0855	Ratchet	1
8	89-0433	Ratchet, SI	1
9	89-0957	Riser	1
9	102-1246	Riser, PRX	1
10	89-5896	COM Assy.	1
11	9-7236	Body, 12P	1
12	35-9322	Body, 12P, SI	1
13	363-3125	Plug, 1/2" NPT	1
		SERVICE ITEMS	
	89-5989	Cap Assy., SI (Includes Items 5 & 6)	
	89-9465	Cap Assy., COM (Includes Items 5 & 6)	
	102-1211	Cap Assy., Lavender (Includes Items 5 & 6)	
	89-5989	Cap & Riser Assy., (Includes Items 5, 6, 8 & 9)	
	89-1306	Riser & Ratchet Assy., (Includes Items 8 & 9)	
	102-2917	PRX Riser Assy., 12P (Includes Items 4 & 9)	
	102-2918	PRX Riser Assy., 12P COM (Includes Items 4, 9 & 10)	