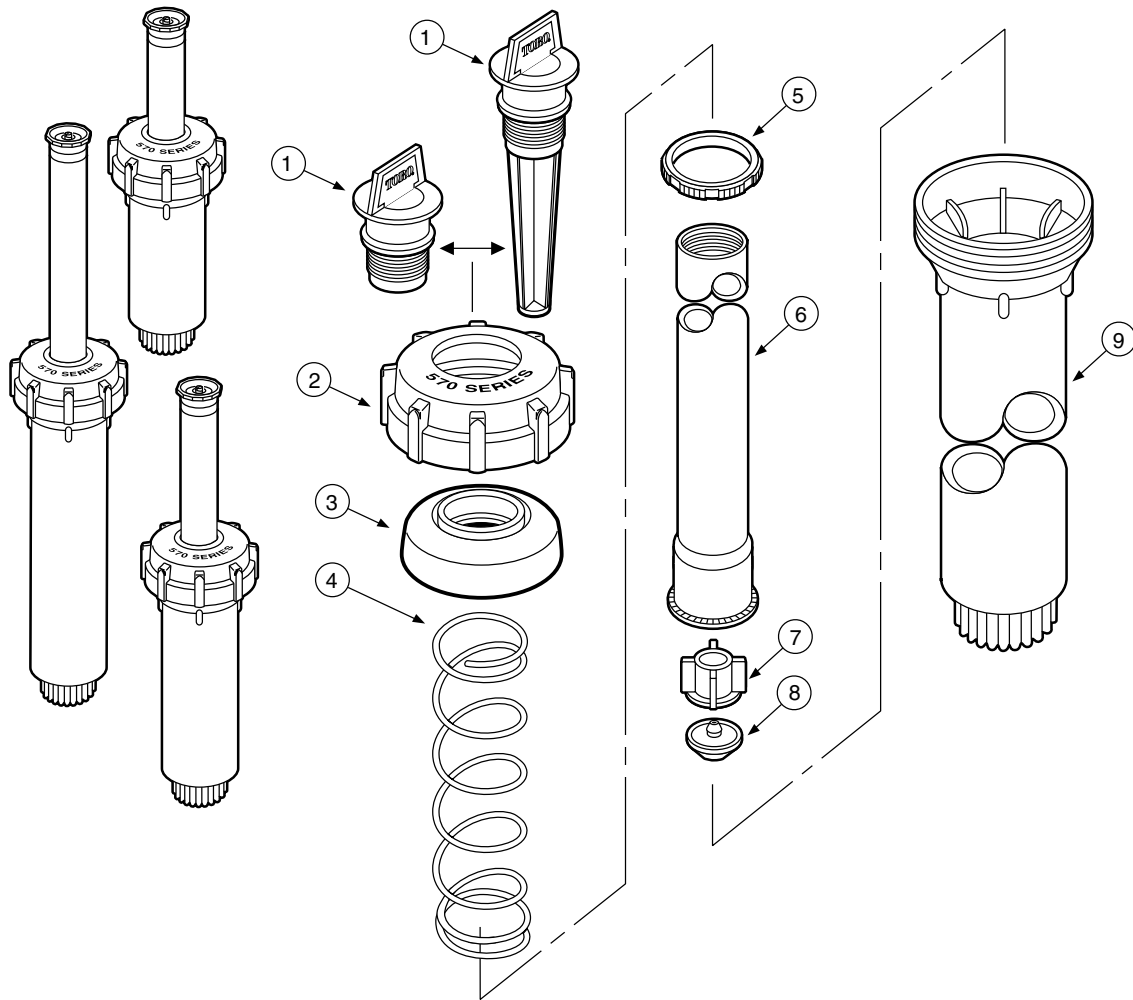
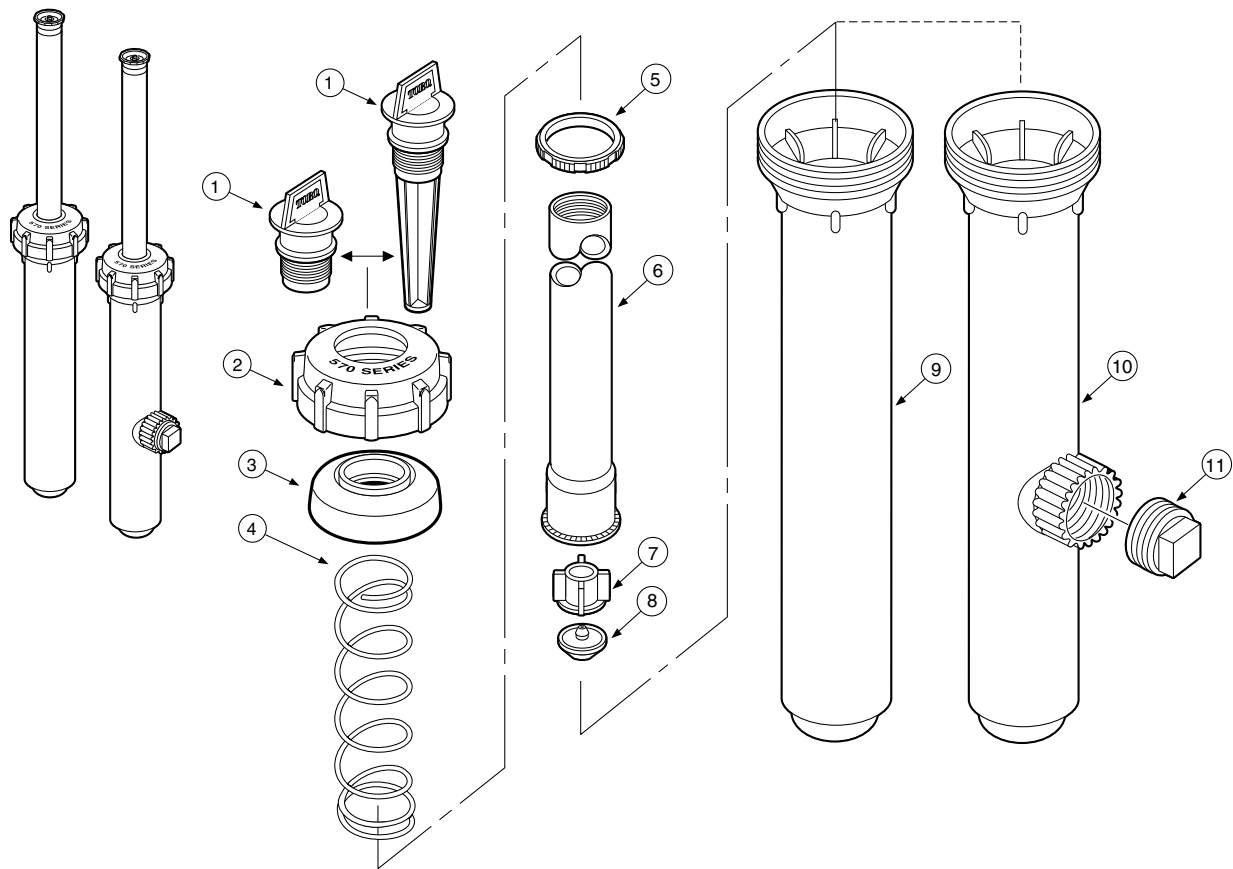


570Z-2P, 570Z-3P, 570Z-4P & 570Z-PRX-4P



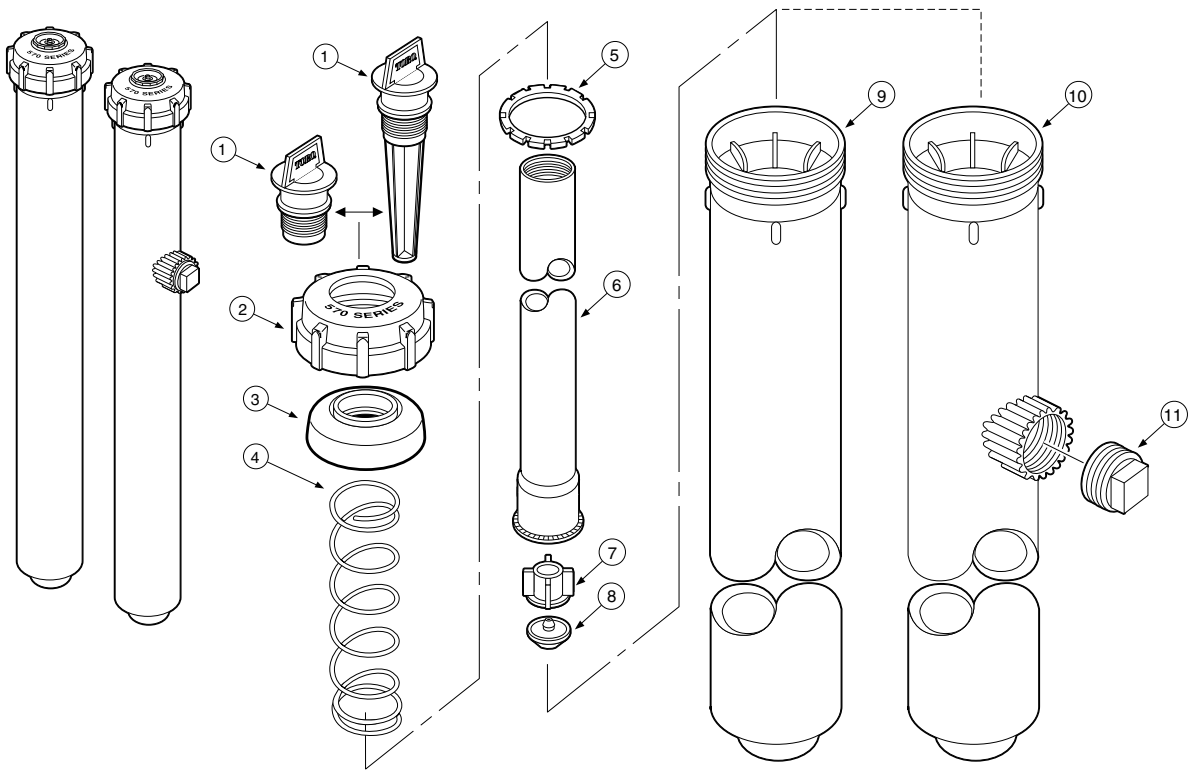
| Item No. | Part No. | Description | Quantity Per Assy. |
|----------|----------|--|--------------------|
| 1 | ----- | Flush Plug | 1 |
| 2 | 89-3747 | Cap | 1 |
| 2 | 89-8210 | Cap, COM | 1 |
| 2 | 102-0562 | Cap, Lavender | 1 |
| 3 | 89-3746 | Seal, Cap | 1 |
| 4 | 89-5640 | Spring, 570-2P | 1 |
| 4 | 89-5920 | Spring, 570-2P, COM | 1 |
| 4 | 35-4879 | Spring, 570-3P | 1 |
| 4 | 35-9631 | Spring, 570-3P, COM | 1 |
| 4 | 35-3077 | Spring, 570-4P | 1 |
| 4 | 35-9632 | Spring, 570-4P, COM | 1 |
| 5 | 89-0463 | Retainer, Spring | 1 |
| 6 | 89-5642 | Riser, 2P | 1 |
| 6 | 89-0967 | Riser, 3P | 1 |
| 6 | 89-0969 | Riser, 4P | 1 |
| 7 | ----- | Housing, COM (See Service Item 89-5896) | 1 |
| 8 | ----- | Seat, COM (See Service Item 89-5896) | 1 |
| 9 | 89-5641 | Body, 2P | 1 |
| 9 | 89-0966 | Body, 3P | 1 |
| 9 | 89-0968 | Body, 4P | 1 |
| | | SERVICE PARTS AND ASSEMBLIES | |
| | 89-3997 | Cap Assy. (Includes Items 2 & 3) | |
| | 89-8256 | Cap Assy., COM (Includes Items 2 & 3) | |
| | 102-1211 | Cap Assy., Lavender (Includes Items 2 & 3) | |
| | 102-0971 | PRX Riser Assy. 4P (Includes Items 1 & 6) | |
| | 102-0973 | PRX Riser Assy. 4P, COM (Includes Items 1 & 6-8) | |
| | 89-5896 | COM Assy. (Includes Items 7 & 8) | |

570Z-6P, 570Z-6P SI & 570Z-PRX-6P



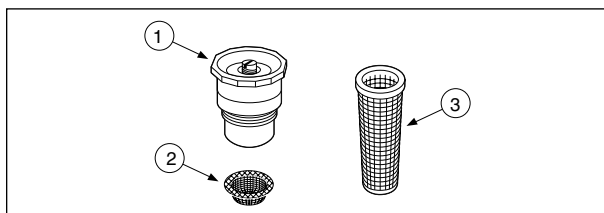
| Item No. | Part No. | Description | Quantity Per Assy. |
|----------|----------|---|--------------------|
| 1 | ----- | Flush Plug | 1 |
| 2 | 89-3747 | Cap | 1 |
| 2 | 89-8210 | Cap, COM | 1 |
| 2 | 102-0562 | Cap, Lavender | 1 |
| 3 | 89-3746 | Seal, Cap | 1 |
| 4 | 35-4874 | Spring, Return | 1 |
| 4 | 35-9633 | Spring, Return, COM | 1 |
| 5 | 89-0463 | Retainer, Spring | 1 |
| 6 | 89-0856 | Riser | 1 |
| 7 | ----- | Housing, COM (See Service Item 89-5896) | 1 |
| 8 | ----- | Seat, COM (See Service Item 89-5896) | 1 |
| 9 | 89-0970 | Body, 6P (Non-Side Inlet) | 1 |
| 10 | 89-0857 | Body, 6P (Side Inlet) | 1 |
| 11 | 363-3125 | Plug, 1/2" NPT (Side Inlet) | 1 |
| | | SERVICE PARTS AND ASSEMBLIES | |
| | 89-3997 | Cap Assy. (Includes Items 2 & 3) | |
| | 89-8256 | Cap Assy., COM (Includes Items 2 & 3) | |
| | 102-1211 | Cap Assy., Lavender (Includes Items 2 & 3) | |
| | 102-0972 | PRX Riser Assy., 6P (Includes Items 1 & 6) | |
| | 102-0974 | PRX Riser Assy., 6P, COM (Includes Items 1 & 6-8) | |
| | 89-5896 | COM Assy. (Includes Items 7 & 8) | |

570Z-12P, 570Z-12P SI & 570Z-PRX-12P



| Item No. | Part No. | Description | Quantity Per Assy. |
|-------------------------------------|----------|--|--------------------|
| 1 | ----- | Flush Plug | 1 |
| 2 | 89-3747 | Cap | 1 |
| 2 | 89-8210 | Cap, COM | 1 |
| 2 | 102-0562 | Cap, Lavender | 1 |
| 3 | 89-3746 | Seal, Cap (Non Side Inlet) | 1 |
| 3 | 89-5987 | Seal, Cap, (Side Inlet) | 1 |
| 4 | 35-6872 | Spring, Return | 1 |
| 4 | 35-9634 | Spring, Return, COM | 1 |
| 5 | 89-0433 | Ratchet (Side Inlet) | 1 |
| 5 | 89-0855 | Ratchet (Non Side Inlet) | 1 |
| 6 | 102-1246 | Riser | 1 |
| 7 | ----- | Housing, COM (See Service Item 89-5896) | 1 |
| 8 | ----- | Seat, COM (See Service Item 89-5896) | 1 |
| 9 | 9-7236 | Body, 12P (Non Side Inlet) | 1 |
| 10 | 35-9322 | Body, 12P (Side Inlet) | 1 |
| 11 | 363-3125 | Plug, 1/2" NPT (Side Inlet) | 1 |
| SERVICE PARTS AND ASSEMBLIES | | | |
| | 89-5989 | Cap Assy. (Side Inlet) (Includes Items 2 & 3) | |
| | 89-9465 | Cap Assy., COM (Includes Items 2 & 3) | |
| | 102-1211 | Cap Assy., Lavender (Includes Items 2 & 3) | |
| | 89-5896 | COM Assy. (Includes Items 7 & 8) | |
| | 102-2917 | PRX Riser Assy. 12P (Includes Items 1 & 6) | |
| | 102-2918 | PRX Riser Assy. 12P COM (Includes Items 1 & 6-8) | |

570 MPR Plus Nozzles and Screens



| Item No. | Part No. | Description |
|----------|-----------|----------------------------------|
| 1 | * - - - - | Nozzle (See Nozzle Charts Below) |
| 2 | 89-5548 | Stainless Steel, Fine Mesh |
| 3 | 9-5112 | White Plastic, Standard Mesh |
| 3 | 89-8738 | Red Plastic, Fine Mesh |

* All 570 nozzles must be ordered through the Finished Goods Distribution System—Minneapolis

570 MPR Plus Nozzles – Standard

| 15' SERIES WITH 27° TRAJECTORY | | | |
|--------------------------------|-----------|-------------|-----------|
| Part No. | Model No. | Description | Screen(s) |
| 89-1769 | 15-Q | 1/4 Circle | White |
| 89-1768 | 15-T | 1/3 Circle | White |
| 89-1767 | 15-H | 1/2 Circle | White |
| 89-1766 | 15-TT | 2/3 Circle | White |
| 89-1765 | 15-TQ | 3/4 Circle | White |
| 89-1764 | 15-F | Full-circle | White |

| 12' SERIES WITH 23° TRAJECTORY | | | |
|--------------------------------|-----------|-------------|-----------|
| Part No. | Model No. | Description | Screen(s) |
| 89-1775 | 12-Q | 1/4 Circle | White |
| 89-1774 | 12-T | 1/3 Circle | White |
| 89-1773 | 12-H | 1/2 Circle | White |
| 89-1772 | 12-TT | 2/3 Circle | White |
| 89-1771 | 12-TQ | 3/4 Circle | White |
| 89-1770 | 12-F | Full-circle | White |

| 10' SERIES WITH 12° TRAJECTORY | | | |
|--------------------------------|-----------|-------------|-----------|
| Part No. | Model No. | Description | Screen(s) |
| 89-1781 | 10-Q | 1/4 Circle | White |
| 89-1780 | 10-T | 1/3 Circle | White |
| 89-1779 | 10-H | 1/2 Circle | White |
| 89-1778 | 10-TT | 2/3 Circle | White |
| 89-1777 | 10-TQ | 3/4 Circle | White |
| 89-1776 | 10-F | Full-circle | White |

| 8' SERIES WITH 5° TRAJECTORY | | | |
|------------------------------|-----------|-------------|-----------|
| Part No. | Model No. | Description | Screen(s) |
| 89-1787 | 8-Q | 1/4 Circle | Red |
| 89-1786 | 8-T | 1/3 Circle | Red |
| 89-1785 | 8-H | 1/2 Circle | Red |
| 89-1784 | 8-TT | 2/3 Circle | Red |
| 89-1783 | 8-TQ | 3/4 Circle | Red |
| 89-1782 | 8-F | Full-circle | Red |

| 5' SERIES WITH 0° TRAJECTORY | | | |
|------------------------------|-----------|-------------|-------------|
| Part No. | Model No. | Description | Screen(s) |
| 89-1793 | 5-Q | 1/4 Circle | Red & Metal |
| 89-1792 | 5-T | 1/3 Circle | Red & Metal |
| 89-1791 | 5-H | 1/2 Circle | Red & Metal |
| 89-1790 | 5-TT | 2/3 Circle | Red & Metal |
| 89-1789 | 5-TQ | 3/4 Circle | Red & Metal |
| 89-1788 | 5-F | Full-circle | Red & Metal |

| SPECIAL PATTERNS | | | |
|------------------|-----------|------------------------|-------------|
| Part No. | Model No. | Description | Screen(s) |
| 89-1796 | 4x30-SST | Side Strip, 4' x 30' | Red |
| 89-1795 | 4x30-EST | End Strip, 4' x 15' | White |
| 89-1794 | 4x30-CST | Center Strip, 4' x 30' | White |
| 89-1797 | 9x18-SST | Side Strip, 9' x 18' | White |
| 89-1798 | 4x18-SST | Side Strip, 4' x 18' | Red |
| 89-1799 | 2x6-SST | Side Strip, 2' x 6' | Red & Metal |

570 MPR Plus Nozzles – Press. Comp.

| 15' SERIES WITH 27° TRAJECTORY | | | |
|--------------------------------|-----------|-------------|-----------|
| Part No. | Model No. | Description | Screen(s) |
| 89-1416 | 15-Q-PC | 1/4 Circle | White |
| 89-1413 | 15-T-PC | 1/3 Circle | White |
| 89-1410 | 15-H-PC | 1/2 Circle | White |
| 89-1407 | 15-TT-PC | 2/3 Circle | White |
| 89-1404 | 15-TQ-PC | 3/4 Circle | White |
| 89-1401 | 15-F-PC | Full-circle | White |

| 12' SERIES WITH 23° TRAJECTORY | | | |
|--------------------------------|-----------|-------------|-----------|
| Part No. | Model No. | Description | Screen(s) |
| 89-1434 | 12-Q-PC | 1/4 Circle | White |
| 89-1431 | 12-T-PC | 1/3 Circle | White |
| 89-1428 | 12-H-PC | 1/2 Circle | White |
| 89-1425 | 12-TT-PC | 2/3 Circle | White |
| 89-1422 | 12-TQ-PC | 3/4 Circle | White |
| 89-1419 | 12-F-PC | Full-circle | White |

| 10' SERIES WITH 12° TRAJECTORY | | | |
|--------------------------------|-----------|-------------|-----------|
| Part No. | Model No. | Description | Screen(s) |
| 89-1452 | 10-Q-PC | 1/4 Circle | White |
| 89-1449 | 10-T-PC | 1/3 Circle | White |
| 89-1446 | 10-H-PC | 1/2 Circle | White |
| 89-1443 | 10-TT-PC | 2/3 Circle | White |
| 89-1440 | 10-TQ-PC | 3/4 Circle | White |
| 89-1437 | 10-F-PC | Full-circle | White |

| 8' SERIES WITH 5° TRAJECTORY | | | |
|------------------------------|-----------|-------------|-----------|
| Part No. | Model No. | Description | Screen(s) |
| 89-1470 | 8-Q-PC | 1/4 Circle | Red |
| 89-1467 | 8-T-PC | 1/3 Circle | Red |
| 89-1464 | 8-H-PC | 1/2 Circle | Red |
| 89-1461 | 8-TT-PC | 2/3 Circle | Red |
| 89-1458 | 8-TQ-PC | 3/4 Circle | Red |
| 89-1455 | 8-F-PC | Full-circle | Red |

| 5' SERIES WITH 0° TRAJECTORY | | | |
|------------------------------|-----------|-------------|-------------|
| Part No. | Model No. | Description | Screen(s) |
| 89-1488 | 5-Q-PC | 1/4 Circle | Red & Metal |
| 89-1485 | 5-T-PC | 1/3 Circle | Red & Metal |
| 89-1482 | 5-H-PC | 1/2 Circle | Red & Metal |
| 89-1479 | 5-TT-PC | 2/3 Circle | Red & Metal |
| 89-1476 | 5-TQ-PC | 3/4 Circle | Red & Metal |
| 89-1473 | 5-F-PC | Full-circle | Red & Metal |

| SPECIAL PATTERNS | | | |
|------------------|-------------|------------------------|-------------|
| Part No. | Model No. | Description | Screen(s) |
| 89-1503 | 4x30-SST-PC | Side Strip, 4' x 30' | Red |
| 89-1500 | 4x30-EST-PC | End Strip, 4' x 15' | White |
| 89-1497 | 4x30-CST-PC | Center Strip, 4' x 30' | White |
| 89-1506 | 9x18-SST-PC | Side Strip, 9' x 18' | White |
| 89-1509 | 4x18-SST-PC | Side Strip, 4' x 18' | Red |
| 89-1512 | 2x6-SST-PC | Side Strip, 2' x 6' | Red & Metal |

570 Stream Spray – Standard

| 10° STREAM SPRAY – STANDARD | | | |
|-----------------------------|-----------|--------------------|-------------|
| Part No. | Model No. | Description | Screen(s) |
| 89-1803 | 10-SSF | Stream Spray, 360° | Red & Metal |
| 89-1804 | 10-SSH | Stream Spray, 180° | Red & Metal |
| 89-1805 | 10-SSQ | Stream Spray, 90° | Red & Metal |

| 35° STREAM SPRAY – STANDARD | | | |
|-----------------------------|-----------|--------------------|-------------|
| Part No. | Model No. | Description | Screen(s) |
| 89-1800 | 35-SSF | Stream Spray, 360° | Red & Metal |
| 89-1801 | 35-SSH | Stream Spray, 180° | Red & Metal |
| 89-1802 | 35-SSQ | Stream Spray, 90° | Red & Metal |

570 Stream Spray – Pressure Comp.

| 10° STREAM SPRAY – PRESSURE COMPENSATING | | | |
|--|-----------|--------------------|-------------|
| Part No. | Model No. | Description | Screen(s) |
| 89-1519 | 10-SSF-PC | Stream Spray, 360° | Red & Metal |
| 89-1521 | 10-SSH-PC | Stream Spray, 180° | Red & Metal |
| 89-1547 | 10-SSQ-PC | Stream Spray, 90° | Red & Metal |

| 35° STREAM SPRAY – PRESSURE COMPENSATING | | | |
|--|-----------|--------------------|-------------|
| Part No. | Model No. | Description | Screen(s) |
| 89-1491 | 35-SSF-PC | Stream Spray, 360° | Red & Metal |
| 89-1493 | 35-SSH-PC | Stream Spray, 180° | Red & Metal |
| 89-1495 | 35-SSQ-PC | Stream Spray, 90° | Red & Metal |

570 Flat Spray – Standard

| FLAT SPRAY – STANDARD | | | |
|-----------------------|-----------|--------------------------|-------------|
| Part No. | Model No. | Description | Screen(s) |
| 35-2748 | FSQ | Flat Spray, 90° | White |
| 35-2747 | FSH | Flat Spray, 180° | White |
| 35-2746 | FSF | Flat Spray, 360° | White |
| 35-4245 | FSQ-LG | Flat Spray, 90° Low GPM | Red & Metal |
| 35-4246 | FSH-LG | Flat Spray, 180° Low GPM | Red & Metal |
| 35-4247 | FSF-LG | Flat Spray, 360° Low GPM | Red & Metal |

570 Flat Spray – Pressure Compensating

| FLAT SPRAY – PRESSURE COMPENSATING | | | |
|------------------------------------|-----------|--------------------------|-------------|
| Part No. | Model No. | Description | Screen(s) |
| 35-7704 | FSQ-PC | Flat Spray, 90° | White |
| 35-7700 | FSH-PC | Flat Spray, 180° | White |
| 35-7698 | FSF-PC | Flat Spray, 360° | White |
| 35-7712 | FSQ-LG-PC | Flat Spray, 90° Low GPM | Red & Metal |
| 35-7708 | FSH-LG-PC | Flat Spray, 180° Low GPM | Red & Metal |
| 35-7706 | FSF-LG-PC | Flat Spray, 360° Low GPM | Red & Metal |

570 Flood Bubbler – Pressure Comp.

| FLOOD BUBBLER – PRESSURE COMPENSATING | | | |
|---------------------------------------|---------------|-------------------------|-------------|
| Part No. | Model No. | Description | Screen(s) |
| 89-1727 | FB-25-PC | Flood Bubbler, .25 GPM | Red & Metal |
| 89-1729 | FB-50-PC | Flood Bubbler, .50 GPM | Red & Metal |
| 89-1731 | FB-100-PC | Flood Bubbler, 1.00 GPM | Red & Metal |
| 89-1733 | FB-200-ADJ-PC | | |

570 Stream Bubblers – Standard

| STREAM BUBBLER NOZZLES | | | |
|------------------------|-----------|----------------------|-----------|
| Part No. | Model No. | Description | Screen(s) |
| 89-1806 | SB-90 | 1/4 Circle | White |
| 89-1807 | SB-180 | 1/2 Circle | White |
| 89-1808 | SB-360 | Full-circle | White |
| 89-1809 | SB-2-180 | 1/2 Circle, 2 Stream | White |
| 89-1810 | SB-4-180 | 1/2 Circle, 4 Stream | White |

570 Stream Bubblers – Pressure Comp.

| STREAM BUBBLER NOZZLES | | | |
|------------------------|--------------|----------------------|-----------|
| Part No. | Model No. | Description | Screen(s) |
| 89-7865 | SB-90-PC2 | 1/4 Circle | White |
| 89-7875 | SB-180-PC2 | 1/2 Circle | White |
| 89-7877 | SB-360-PC2 | Full-circle | White |
| 89-7871 | SB-2-180-PC2 | 1/2 Circle, 2 Stream | White |
| 89-7873 | SB-4-180-PC2 | 1/2 Circle, 4 Stream | White |

570 Pressure Compensating Devices

| PRESSURE COMPENSATING DEVICES | | | |
|-------------------------------|-------------|-----------|-------------|
| Model No. | Description | Model No. | Description |
| PCD-.25 | .25 GPM | PCD-1.4 | 1.4 GPM |
| PCD-.50 | .50 GPM | PCD-2.0 | 2.0 GPM |
| PCD-.70 | .70 GPM | PCD-3.0 | 3.0 GPM |
| PCD-1.0 | 1.0 GPM | | |

570 V-15 Nozzle – Standard

| ADJUSTABLE ARC | | | |
|----------------|-----------|------------------------|-----------|
| Part No. | Model No. | Description | Screen(s) |
| 89-7418 | V-15 | Adjustable Arc Pattern | White |