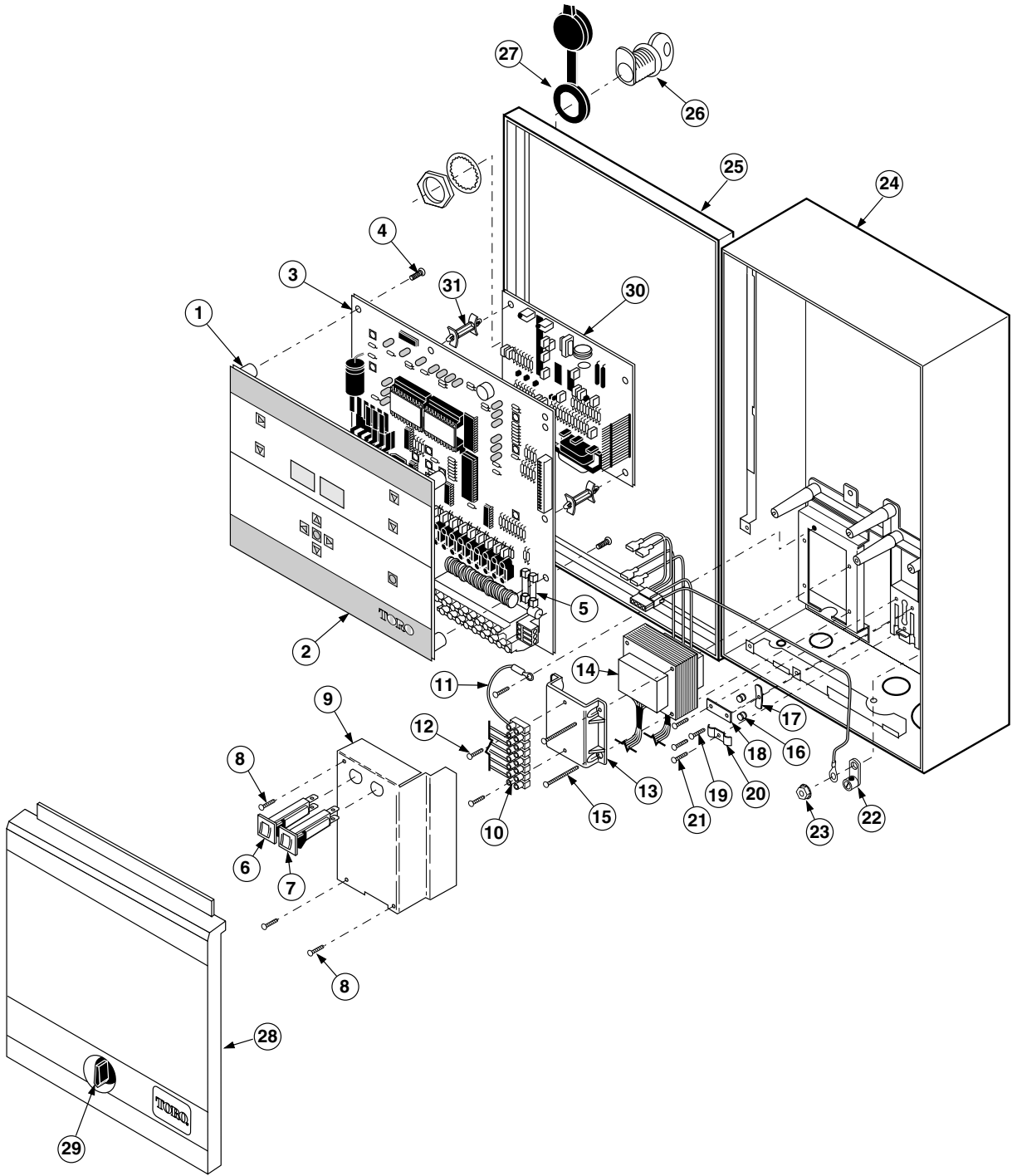
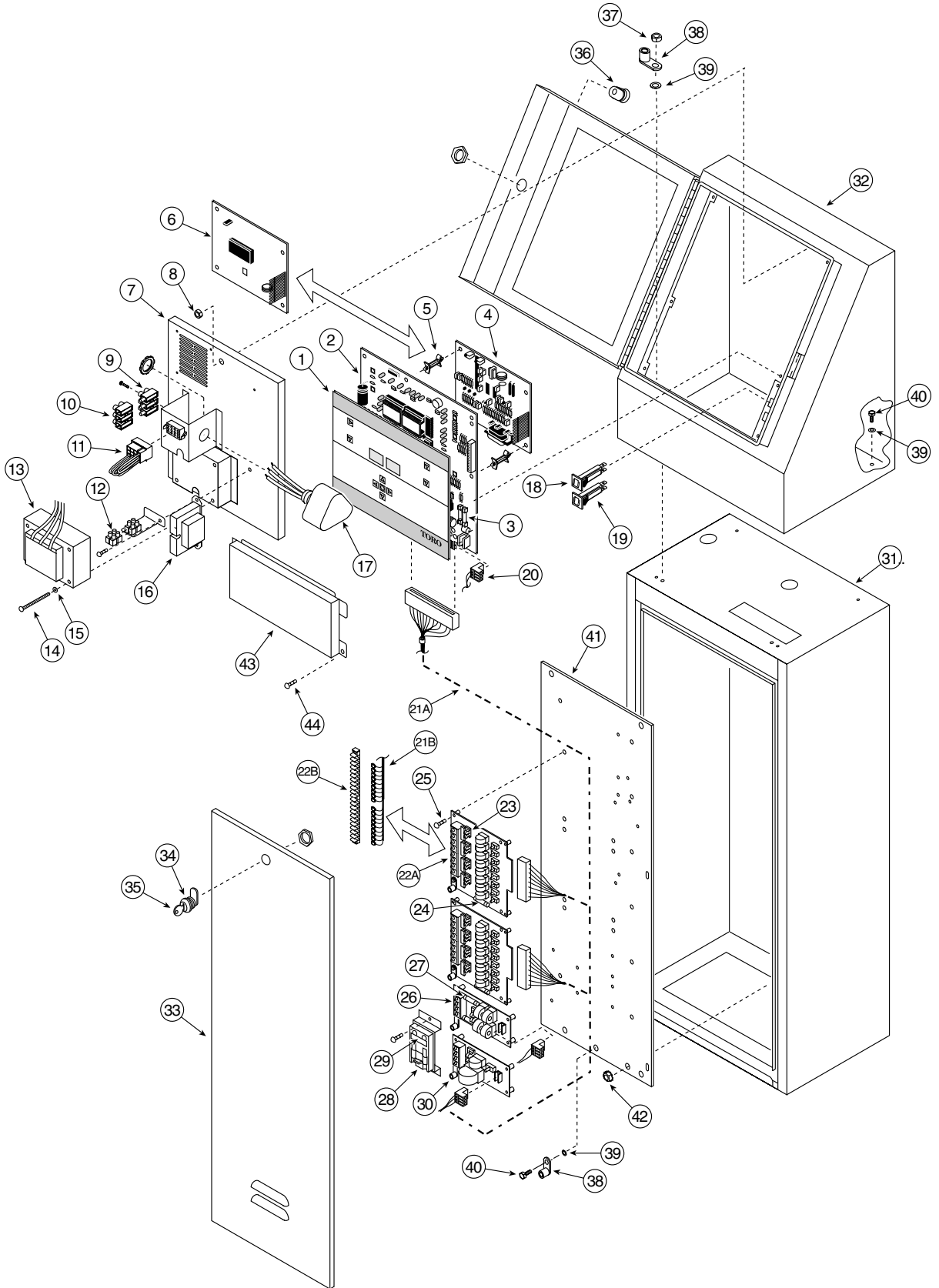


Network LTC 1.0 Satellite - Wall Mount Cabinet



Item No.	Part No.	Description	Quantity Per Assy.
1	91-0547	Front Plate Assy.	1
2	91-0784	Overlay, LTC	1
3	91-0545	PCB Assy., LTC	1
4	363-1355	Screw, Tap, #6	5
5	363-2638	Fuse, 0.5A	2
6	363-5271	Circuit Breaker, 0.75A	1
7	363-5270	Circuit Breaker, 4.0A	1
8	4-1063	Screw, Tap, #6	3
9	-----	Cover, Transformer	1
10	363-5219	Terminal Block, 8-Position	1
11	91-1005	Wire Assy., Green/Yellow	1
12	363-2033	Screw, Hi-Lo, #4-24	2
13	91-1030	Mount, Terminal Block	1
14	91-0919	Transformer Assy.	1
15	363-3103	Screw, Tap, #6-19	2
16	360-0471	Surge Protector	2
17	91-0790	Term. Plate, Contact	1
18	35-7524	Strap	1
19	363-2431	Screw w/Clamp, Hi-Lo, #6	2
20	363-2271	Clamp, Cable	1
21	363-5255	Screw, Machine, #6-32	1
22	363-1553	Lug, Grounding	1
23	360-0594	Nut, 1/4-20	1
24	-----	Cabinet Assy.	1
25	-----	Door Assy.	1
26	363-1414	Lock w/Dust Cover	1
27	9-4303	Cover, Lock	1
28	91-0782	Cover, Terminal	1
29	363-2351	Latch, Pawl	1
30	91-0777	PCB Assy., Modem	1
30	91-1046	PCB Assy., VT Adapter	1
31	363-2437	Standoff	4
		SERVICE PARTS AND ASSEMBLIES	
	91-0786	Switch Actuator	
	360-0565	Keys, 2 w/Ring (Golf #1382)	
	91-1331	Kit, Modem (Includes Items 30 & 31)	
	91-1200	Kit, VT Adapter (Includes Transformer and Installation Accessories)	
	91-1213	Kit, VT Adapter Transformer, Service	

Network LTC Satellite 1.0 - Taper-top Cabinet



Item No.	Part No.	Description	Quantity Per Assy.
1	91-1591	Front Panel Assy., TM	1
2	91-2337	PCB Assy., TM	1
3	363-2638	Fuse, Fast Blow, 0.5A	2
4	91-1331	PCB Assy., LTC Modem	1
5	363-2437	Standoff, Dual Locking	4
6	91-1046	PCB Assy, VT Adapter	1
7	-----	Backplate, Upper	1
8	363-1752	Nut, Hex, Locking	1
9	363-3215	Terminal Block, Plug, 3-Position	1
10	363-3216	Terminal Block, Socket, 3-Position	1
11	-----	Power Connector	4
12	363-3230	Terminal Block, Plug, 2-Position	1
13	91-1636	Transformer	1
14	363-3205	Screw, 8-32 x 1.5"	4
15	360-0600	Washer, Lock	4
16	363-1740	Transformer (VT)	1
17	363-3202	Surge Protector	1
18	363-5271	Circuit Breaker, 0.75A	1
19	363-5270	Circuit Breaker, 4.0A	1
20	363-2231	Connector, 3-Pin	1
21A	91-1641	Cable Assy., Surge	1
21B	91-1639	Cable Assy., Electric (Non-Surge)	1
22A	91-1957	PCB, Surge Protection, 8-Station	2
22B	363-3200	Terminal Block, 20-Position	1
23	360-0471	Surge Protector (Pill)	16
24	363-1222	Fuse, 3A, Slow-Blow	2
25	363-5362	Screw, Tap	16
26	91-1307	PCB Assy., Surge Protection, Communication	1
27	363-2638	Fuse, Fast Blow, 0.5A	2
28	35-8833	Bracket Assy., Communication	1
29	363-0471	Surge Protector (Pill)	2
30	91-1305	PCB Assy., Surge Protection, Pump/Com	1
31	91-1587	Cabinet, 30" Galvanized (Includes Items 33-35)	1
31	-----	Cabinet, 30" SST (See Service Parts)	1
32	91-1586	Cabinet, Taper Top, Galvanized (Includes Items 35 & 36)	1
32	-----	Cabinet, Taper Top, SST(See Service Parts)	1
33	-----	Door, Cabinet, 30" Galvanized (See Service Parts)	1
33	-----	Door, Cabinet, 30" SST (See Service Parts)	1
34	363-6359	Lock Assy. w/Keys, Door	1
35	360-0565	Keys, Two w/Ring (Golf #1382)	1
36	-----	Lock Assy, Cabinet, Taper Top	1
37	360-0594	Nut, 1/4-20	1
38	363-1553	Lug, Grounding	2
39	363-1623	Washer, Lock	6
40	360-0595	Screw, 1/4-20 x 1/2"	4
41	91-1441	Mounting Plate, Rear	1
42	363-3236	Nut, Hex, 5/16"	4
43	-----	Cover, Access	1
44	1-3076	Screw, Machine	2
		SERVICE PARTS AND ASSEMBLIES	
	91-1593	Timing Mechanism Assy. (Includes Items 1-3)	
	89-7485	Cabinet Assy., Galvanized (Includes Items 31-40)	
	89-7486	Cabinet Assy., SST (Includes Items 31-40)	