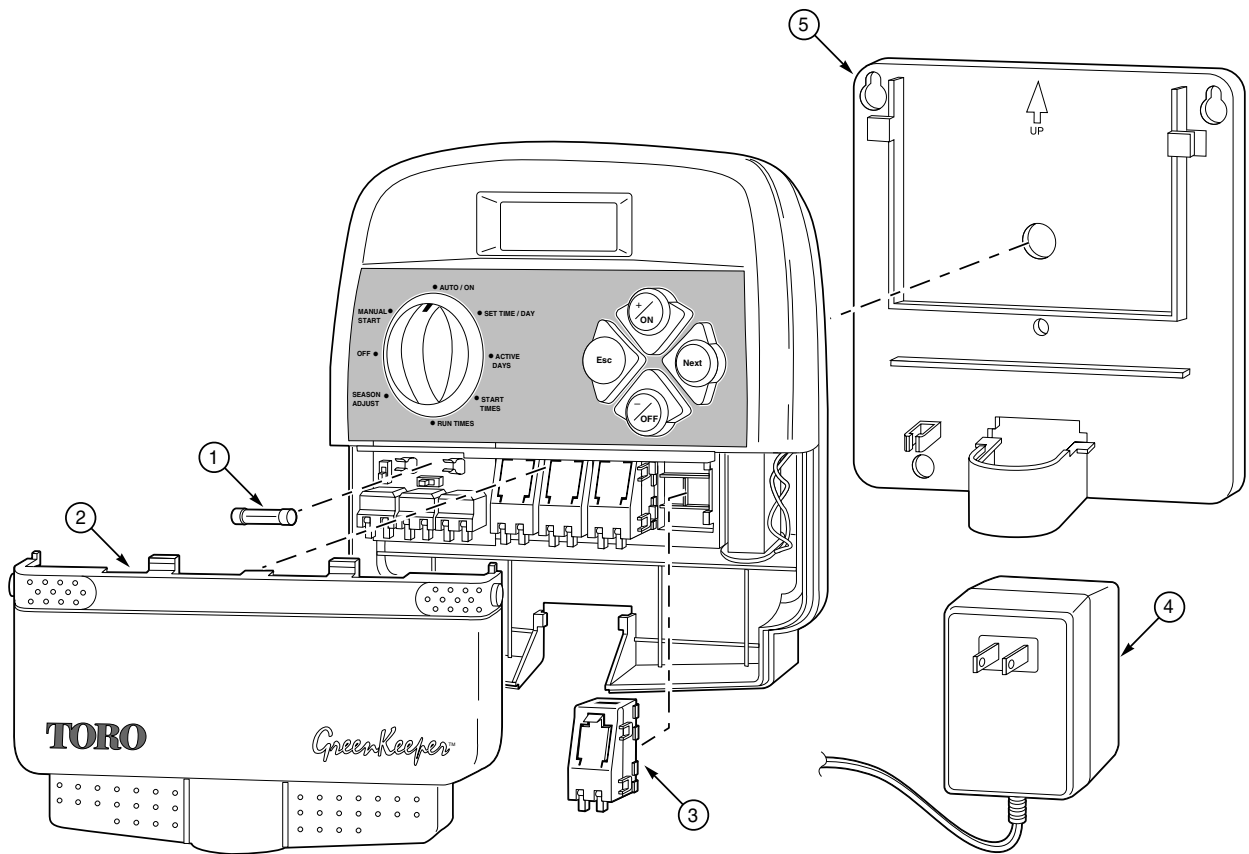


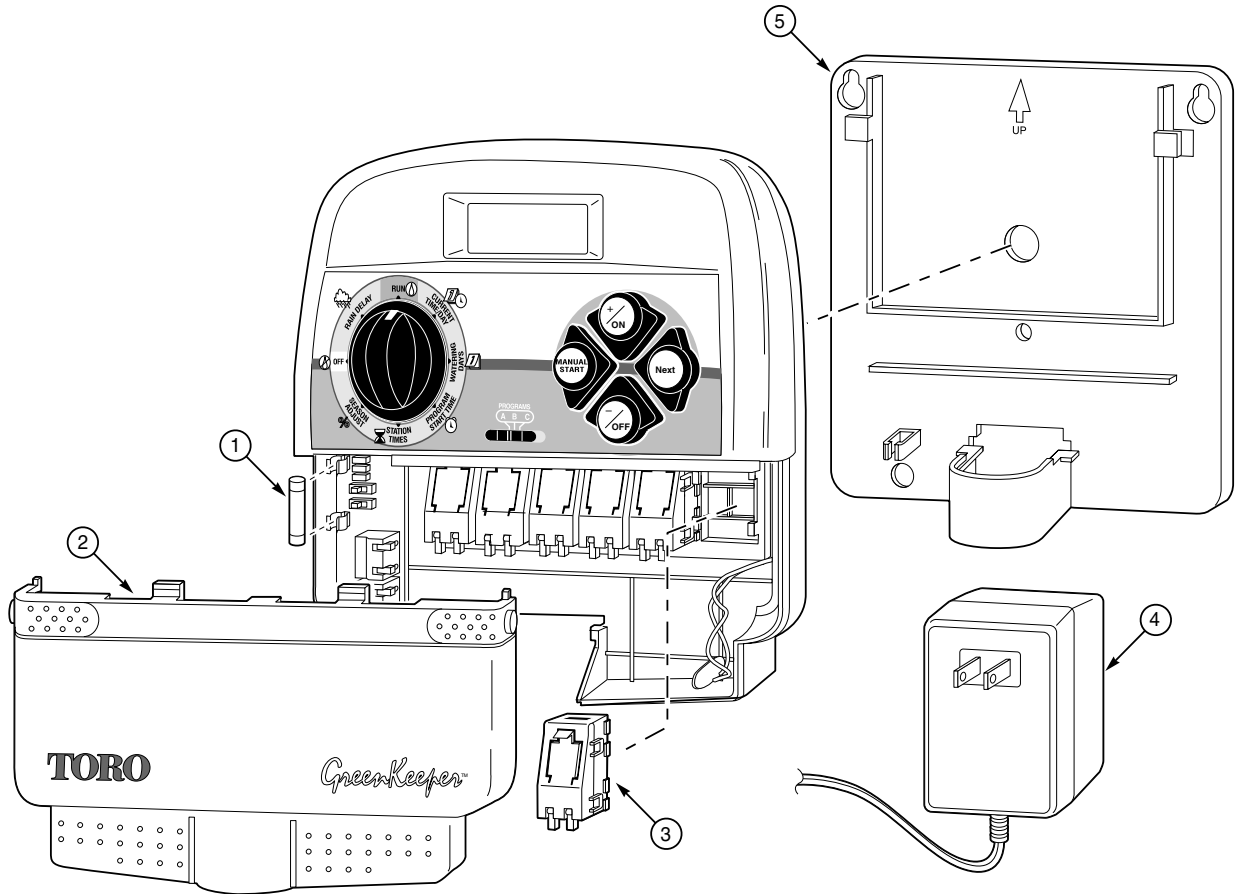
# GreenKeeper



Item No.	Part No.	Description	Quantity Per Assy.
1	363-5026	Fuse, 3/4 Amp	1
2	363-3522	Front Plate	1
3	*MOD-02	Two-Station Module	2
4	363-3514	Transformer, 120 V a.c., 24 V a.c.	1
4	363-3664	Transformer, 230 V a.c., 24 V a.c. (Europe)	1
4	363-3665	Transformer, 240 V a.c., 24 V a.c. (Australia)	1
5	363-3521	Mounting Plate	1

\* Order Through Finished Goods Distribution System—Minneapolis

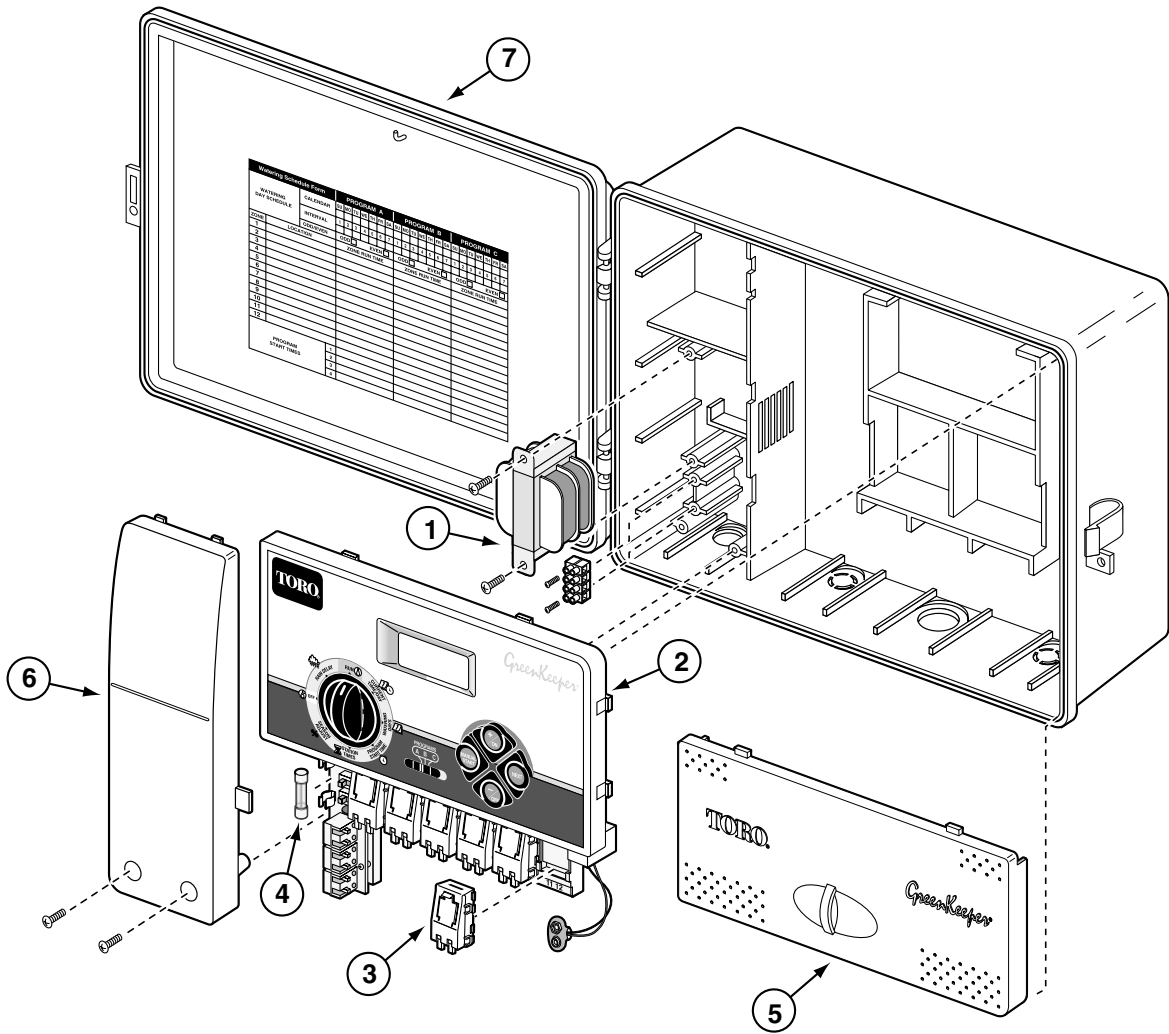
# GreenKeeper 212



Item No.	Part No.	Description	Quantity Per Assy.
1	363-5026	Fuse, 3/4 Amp	1
2	363-3522	Front Plate	1
3	*MOD212-02	Two-station Module	2
4	363-3514	Transformer, 120 V a.c., 24 V a.c.	1
4	363-3664	Transformer, 230 V a.c., 24 V a.c. (Europe)	1
4	363-3665	Transformer, 240 V a.c., 24 V a.c. (Australia)	1
5	363-3521	Mounting Plate	1

\* Order Through Finished Goods Distribution System—Minneapolis

# GreenKeeper 212 Outdoor Cabinet



Item No.	Part No.	Description	Quantity Per Assy.
1	102-2684	Transformer, 120 V a.c. 60 Hz (Domestic Models Only)	1
1	102-2685	Transformer, 230/240 V a.c., 50 Hz, (Export Models Only)	1
2	102-2686	Timing Mechanism, Svc. (Does Not Include Station Modules)	1
3	*MOD212-02	Two-station Module	2
4	363-5026	Fuse, 0.75A, 3AG (Domestic Models Only)	1**
4	363-4965	Fuse, 0.63A, IEC (Export Models Only)	1**
5	102-2687	Cover, Lower Cabinet, Svc.	1
6	102-2688	Cover, Transformer, Svc.	1
7	102-2902	Door, Cabinet, Svc.	1

\* Order Through Finished Goods Distribution System—Minneapolis

\*\* Service Quantity - 10 Per Pack