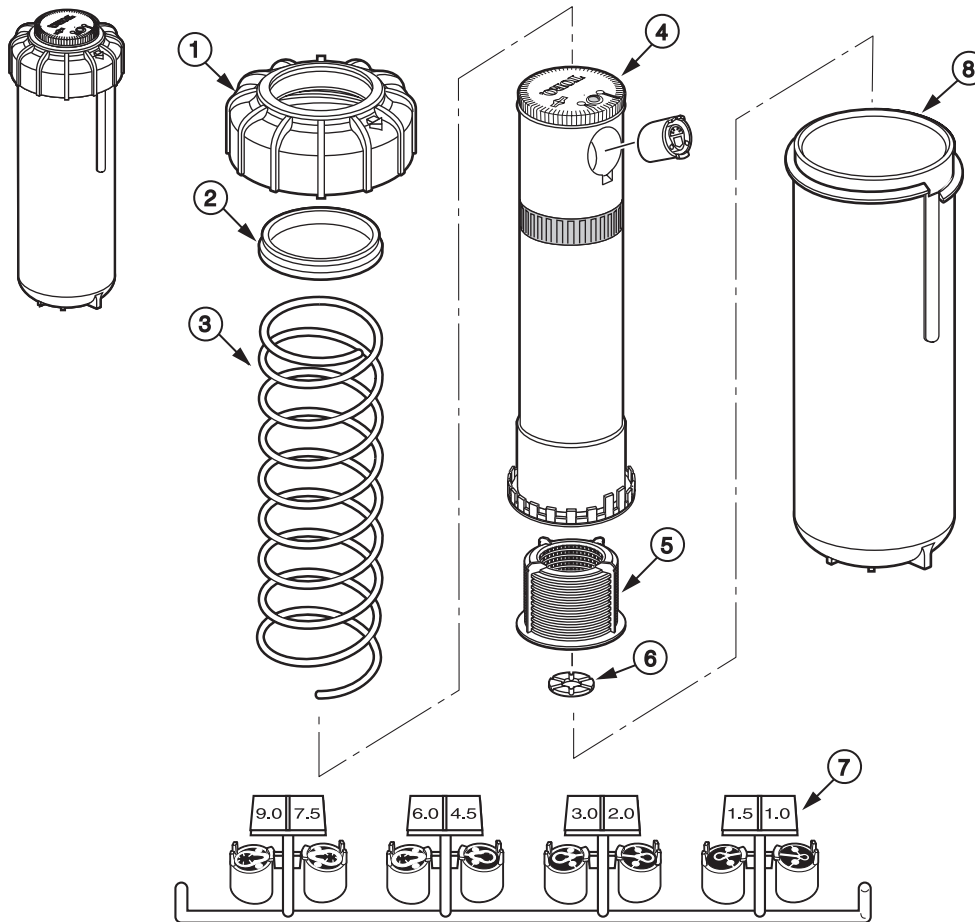
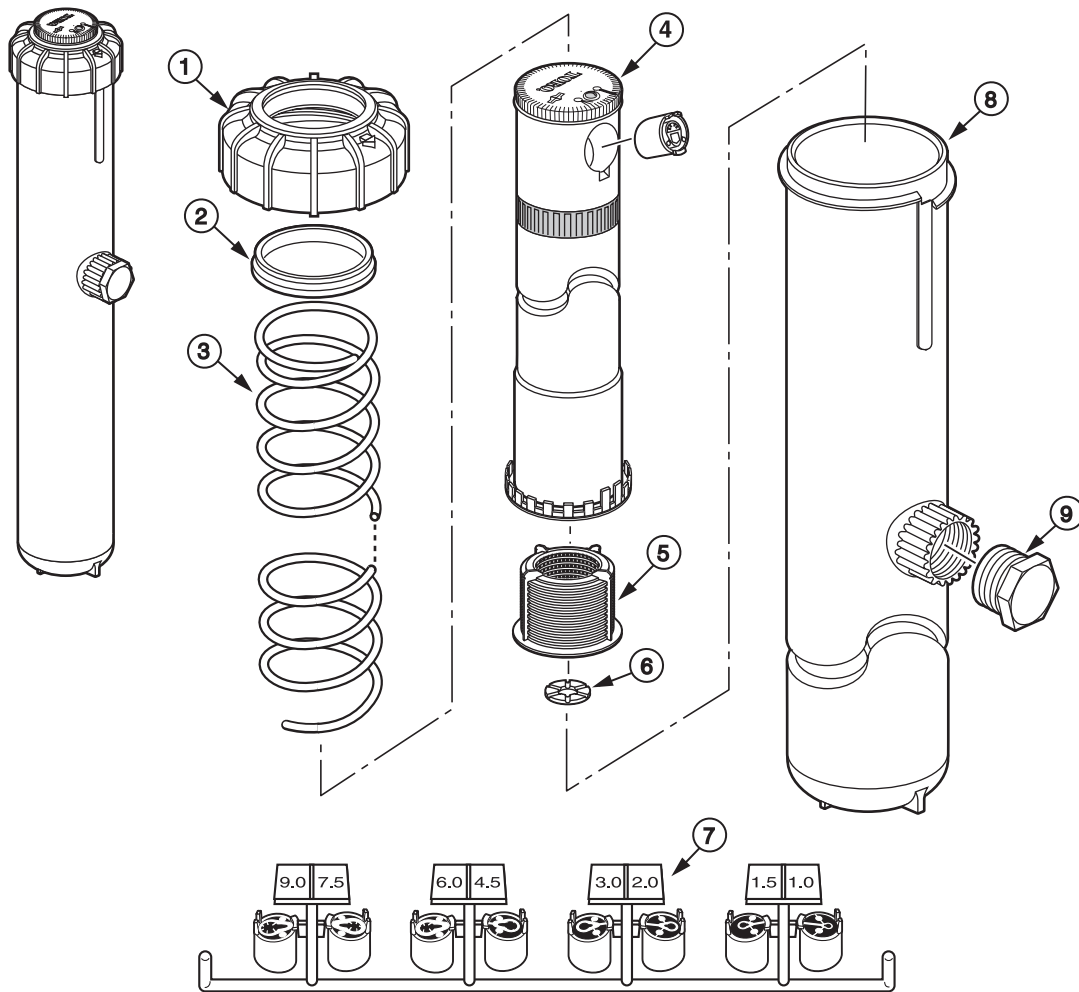


TR50 Lawn



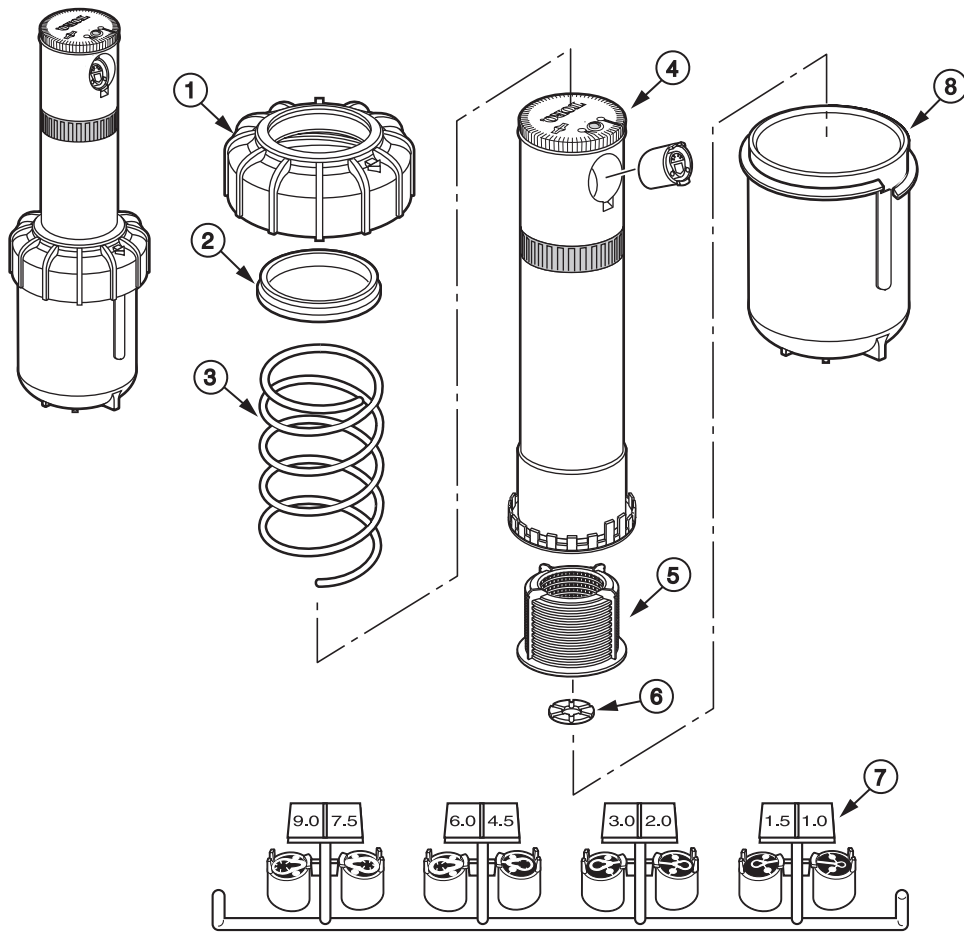
Item No.	Part No.	Description	Quantity Per Assy.
1	89-9178	Cap and Seal Assy.	1
2	89-9713	Ring, Retaining	1
3	89-9181	Spring, Retraction	1
4	89-9692	Riser Assy. (Includes Items 5, 6 and 3 GPM Nozzle)	1
5	89-9182	Screen	1
6	89-9183	Seal, Check	1
7	102-2802	Tree, Nozzle	1
8	89-9176	Body	1
	102-1303	SERVICE TOOLS Adjustment Tool	

TR50 High-Pop



Item No.	Part No.	Description	Quantity Per Assy.
1	89-9178	Cap and Seal Assy.	1
2	89-9713	Ring, Retaining	1
3	89-9844	Spring, Retraction, 12"	1
4	102-3849	Riser Assy. (Includes Items 5, 6 and 3 GPM Nozzle)	1
5	89-9182	Screen	1
6	89-9183	Seal, Check	1
7	102-2802	Tree, Nozzle	1
8	89-9842	Body, 12"	1
9	363-3779	Plug, 3/4" NPT	1
	102-1303	SERVICE TOOLS Adjustment Tool	

TR50 Shrub



Item No.	Part No.	Description	Quantity Per Assy.
1	89-9178	Cap and Seal Assy.	1
2	89-9713	Ring, Retaining	1
3	89-9671	Spring, Shrub	1
4	89-9692	Riser Assy. (Includes Items 5, 6 and 3 GPM Nozzle)	1
5	89-9182	Screen	1
6	89-9183	Seal, Check	1
7	102-2802	Tree, Nozzle	1
8	89-9670	Body, Shrub	1
	102-1303	SERVICE TOOLS Adjustment Tool	