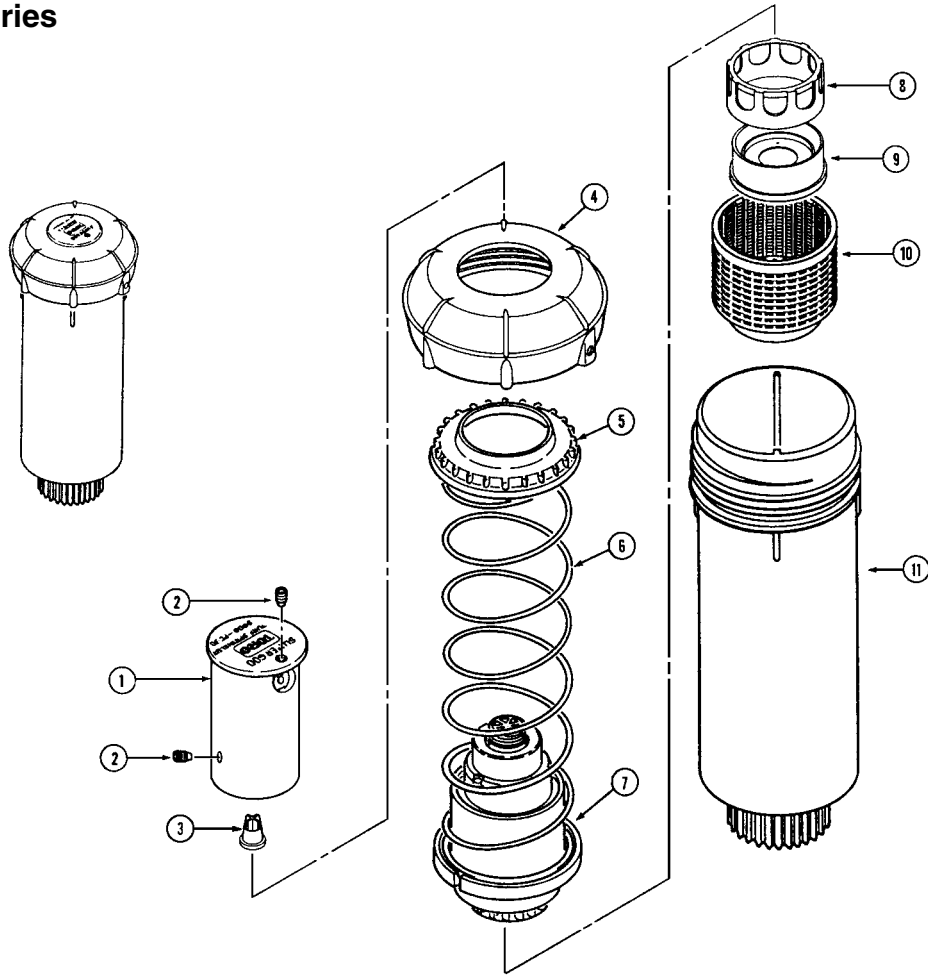


S600 Series



Item No.	Part No.	Description	Quantity Per Assy.
1	35-1213	Nozzle Assy., PC 1.3 (Includes Item 3)	1
1	35-1215	Nozzle Assy., PC 2.5 (Includes Item 3)	1
1	35-1217	Nozzle Assy., PC 5.0 (Includes Item 3)	1
1	35-1219	Nozzle Assy., FC 1.3 (Includes Item 3)	1
1	35-1221	Nozzle Assy., FC 2.5 (Includes Item 3)	1
1	35-1223	Nozzle Assy., FC 5.0 (Includes Item 3)	1
2	360-0223	Screw, Set, Half-dog Point	2
3	35-2852	Seal, Nozzle	1
4	9-4394	Cap (S600)	1
5	9-4395	Seal, Riser	1
6	9-1995	Spring, Retraction	1
7	35-2614	Drive Assy., Full-circle	1
7	35-2613	Drive Assy., Part-circle, Adjustable	1
8	-----	Sleeve, Stator (See Service Part 35-6323)	1
9	-----	Diaphragm, Stator (See Service Part 35-6323)	1
10	9-1691	Screen	1
11	9-1661	Body	1
		SERVICE PARTS AND ASSEMBLIES	
	35-6323	Stator Assembly, Variable (Includes Items 8 and 9)	
	600-01	Kit, Rubber Cover69	
	840-01	Kit, Check Valve	
	89-0805	Restrictor, Low Pressure	
	35-1344	Cap Assy., Locking (S600C)	