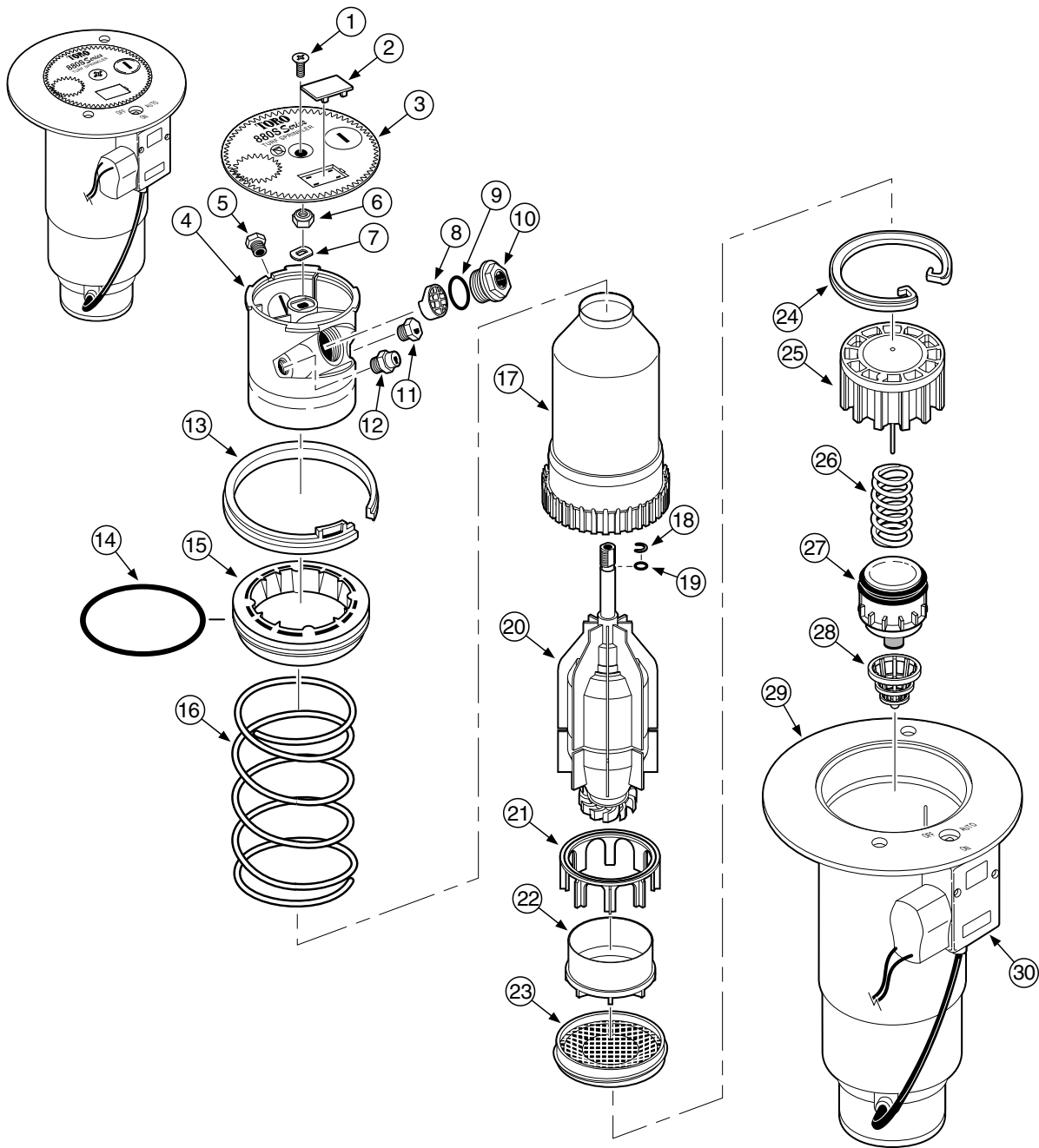


# 880S Series Sprinkler



## Model Number Information

**88XS-XX-8XX-E**

### Arc

- 4 = Full-circle
- 5 = Part-circle

### Body

- 01 = NPT, NO Valve-In-Head
- 02 = NPT, Check-O-Matic
- 06 = NPT, Electric Valve-In-Head
- 41 = ACME, NO Valve-In-Head
- 42 = ACME, Check-O-Matic
- 46 = ACME, Electric Valve-In-Head
- 51 = BSP, NO Valve-In-Head
- 52 = BSP, Check-O-Matic
- 56 = BSP, Electric Valve-In-Head

### Nozzle

- 1 (Yellow)
- 2 (Blue)
- 3 (Brown)
- 4 (Orange)
- 5 (Green)
- 6 (Gray)
- 7 (Black)
- 8 (Red)

### Pressure Regulation\*

- 5 = 50 PSI
- 6 = 65 PSI
- 8 = 80 PSI
- 1 = 100 PSI

### Effluent

\* Pressure Regulation available on Electric VIH models only.

**Note:** For detailed model number availability and ordering information, refer to the Golf Finished Goods Price List (form no. 490-2844).

Item No.	Part No.	Description	Quantity Per Assy.
1	102-1950	Screw, Cap, Stainless Steel, Full-circle Models	1
1	363-4125	Screw, Cap, Brass, Part-circle Models	1
2	89-1589	Plug, Cap	1
3	102-1948	Cap, 880S	1
3	102-2083	Cap, 880S, Effluent	1
4	102-2153	Nozzle Base Assembly	1
5	102-0840	Plug, Back Nozzle	1
6	363-4039	Nut, 5/16-24, Nylon Lock	1
7	102-1951	Alignment Washer	1
8	102-1949	Stream Straightener	1
9	363-4104	O-Ring, Main Nozzle	1
10	102-0725	Nozzle, Main, #1, Yellow	1
10	102-0726	Nozzle, Main, #2, Blue	1
10	102-0727	Nozzle, Main, #3, Brown	1
10	102-0728	Nozzle, Main, #4, Orange	1
10	102-0729	Nozzle, Main, #5, Green	1
10	102-0730	Nozzle, Main, #6, Gray	1
10	102-0731	Nozzle, Main, #7, Black	1
10	102-0732	Nozzle, Main, #8, Red	1
11	102-2136	Nozzle Assembly, Inner, Low-flow, Yellow	1
12	102-0609	Nozzle, Intermediate, Gray (Used with #1 & 2 main nozzles)	1
12	102-0610	Nozzle, Intermediate, Red (Used with #3 & 4 main nozzles)	1
12	102-0823	Nozzle, Intermediate, Beige (Used with #5–8 main nozzles)	1
13	35-6119	Snap Ring, Riser	1
14	363-4103	O-Ring, Body	1
15	102-0136	Retainer, Seal, 1.5"	1
16	102-0151	Spring, Return	1
17	89-6361	Riser Assembly, 880S	1
18	102-2039	Support Ring	1
19	363-4092	O-Ring	1
20	102-2203	Drive Assembly, PC (Includes items 17 & 18)	1
20	102-2323	Drive Assembly, FC (Includes items 17 & 18)	1
21	89-1958	Stator Support	1
22	89-1957	Stator, Variable	1
23	89-1588	Screen, 860S/880S	1
24	3-3304	Snap Ring, Valve	1
25	102-0626	Cylinder Assembly	1
26	3-3323	Spring, Valve, Electric & Normally Open	1
26	3-3311	Spring, Valve, Check-O-Matic	1
27	89-0937	Piston Assembly, Electric	1
27	102-1866	Piston Assembly, Check-O-Matic & Normally Open	1
28	102-0785	Screen, Rock, Removable	1
29	102-1153	Body Assembly, Electric, ACME	1
29	102-1151	Body Assembly, Electric, BSP	1
29	102-1149	Body Assembly, Electric, NPT	1
29	102-1141	Body Assembly, Check-O-Matic, ACME	1
29	102-1139	Body Assembly, Check-O-Matic, BSP	1
29	102-1137	Body Assembly, Check-O-Matic, NPT	1
29	102-1147	Body Assembly, Normally Open, ACME	1
29	102-1145	Body Assembly, Normally Open, BSP	1
29	102-1143	Body Assembly, Normally Open, NPT	1
30	-----	Pilot Valve Assembly (See p. 68)	1
		<b>SERVICE PARTS AND ASSEMBLIES</b>	
	89-1010	Valve Assembly, Electric (Includes Items 24–26)	
	102-1119	Valve Assembly, Check-O-Matic (Includes Items 24–26)	
	102-1121	Valve Assembly, Normally Open (Includes Items 24–26)	
	102-2508	Cap, 880S, w/o Graphics	
	102-2509	Cap, 880S, w/o Graphics, Effluent	
	*102-2552	Conversion Assy., 885S, 81–84, Ribbed Body	
	*102-2553	Conversion Assy., 885S, 85–88, Ribbed Body	
	*102-2554	Conversion Assy., 885S, 81–84, Ribless Body	
	*102-2555	Conversion Assy., 885S, 85–88, Ribless Body	
		<b>SERVICE TOOLS</b>	
		See p. 69	
		* Order Through Finished Goods Distribution System—Minneapolis	