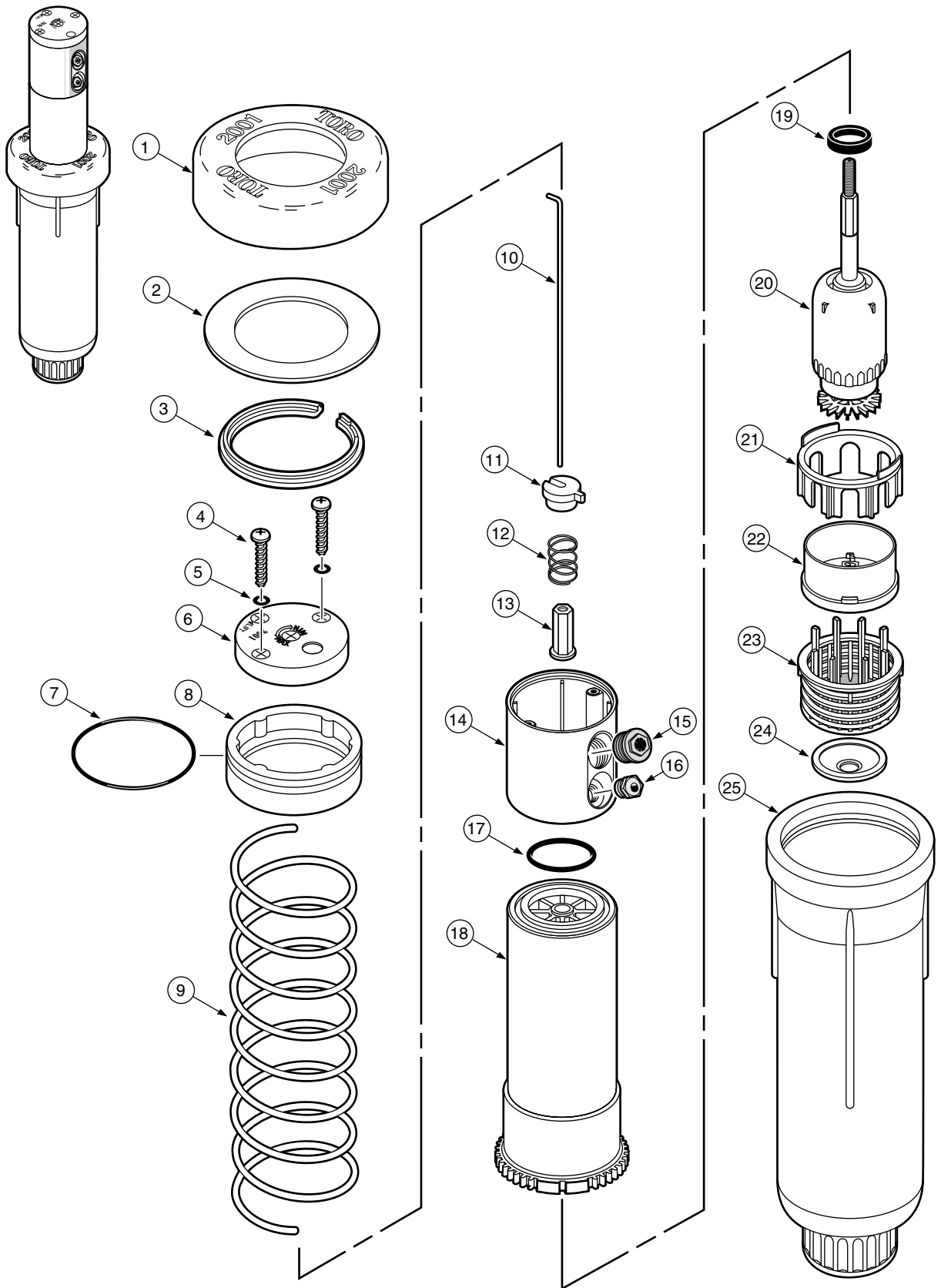
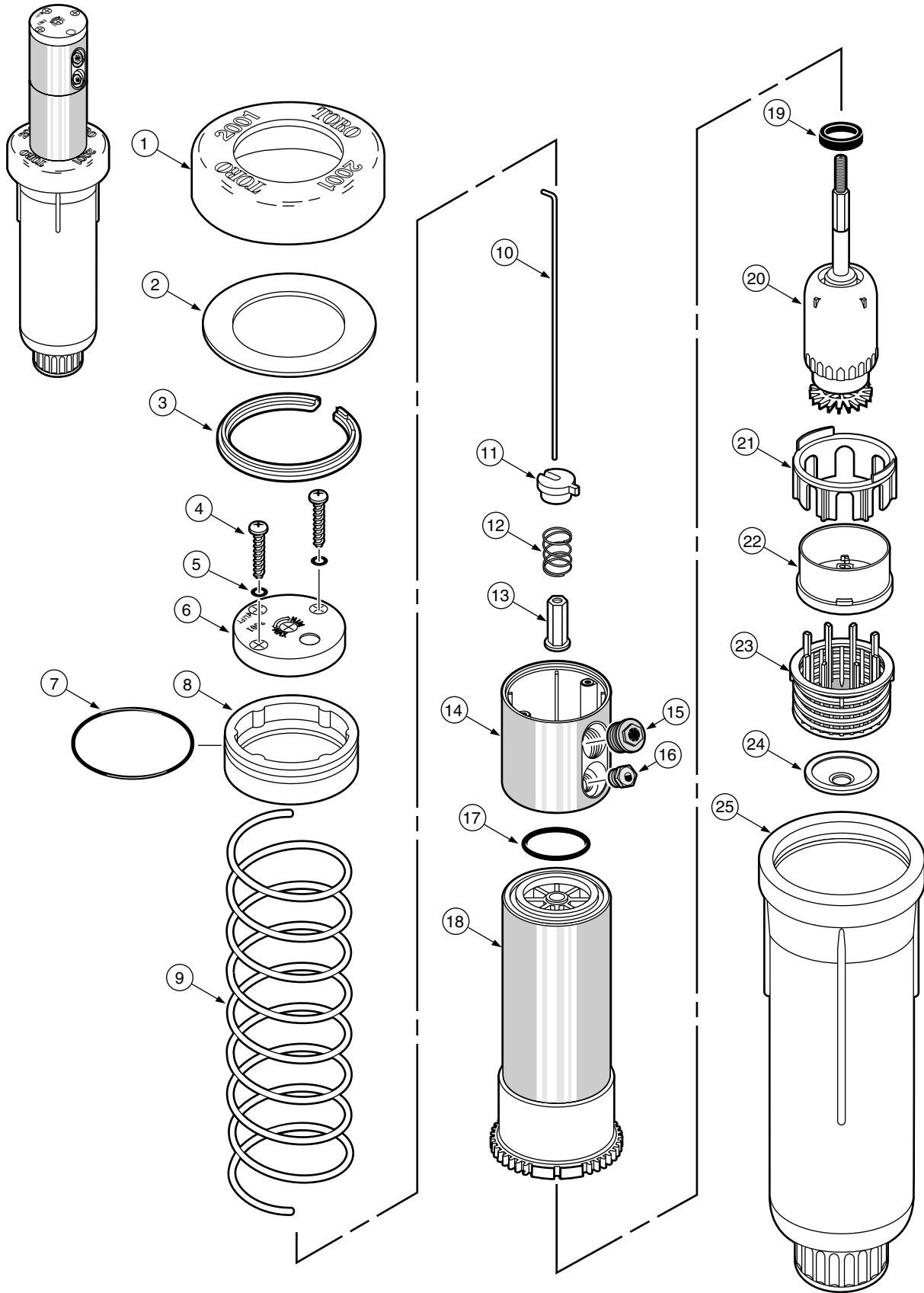


2001



Item No.	Part No.	Description	Quantity Per Assy.
1	89-3883	Cap, Rubber	1
2	102-0058	Seal, Debris	1
3	89-3885	Snap Ring	1
4	363-1493	Screw, 10 x 1.0 Phphn, 2 HLXA	2
5	360-0530	O-Ring	2
6	89-3944	Nozzle Top Assy., Part-circle	1
6	89-7295	Nozzle Top Assy., Full-circle	1
6	89-6734	Nozzle Top Assy., Part-circle, Effluent	1
6	89-7296	Nozzle Top Assy., Full-circle, Effluent	1
7	363-0690	O-Ring	1
8	-----	O-Ring Retainer (See Service Items)	1
9	89-9399	Spring	1
10	89-3869	Shaft (PC Pin)	1
11	89-4890	Arm, Clutch (Part-circle Models Only)	1
12	89-5887	Spring, Clutch (Part-circle Models Only)	1
13	89-3928	Nut, Nozzle Base	1
14	89-3872	Base, Nozzle	1
15	89-4765	Nozzle, Main, 6.0, Yellow	1
15	89-4766	Nozzle, Main, 9.0, Orange	1
15	89-4767	Nozzle, Main, 12.0, Brown	1
15	89-8449	Nozzle, Main, 15.0, Gray	1
15	89-4768	Nozzle, Main, 18.0, Blue	1
15	89-4769	Nozzle, Main, 24.0, Green	1
16	89-8283	Nozzle, Lower, Small (White)	1
16	89-8660	Nozzle, Lower, Large (Red)	1
17	363-4096	O-Ring, #121, .103 x 1.049 x 1.255 (Yellow)	1
18	89-9398	Riser	1
19	89-5904	Brake	1
20	89-8036	Gear Drive Assy., 2001 (Includes Item 19)	1
21	89-7374	Holder, Stator	1
22	-----	Stator (See Service Items)	1
23	89-3929	Screen	1
24	35-2245	Check Valve	1
25	89-7393	Body Assy., BSP, Left Arc I.D. — Post 5/94	1
25	89-7392	Body Assy., NPT, Left Arc I.D. — Post 5/94	1
		SERVICE PARTS AND ASSEMBLIES	
	89-8202	Stator Assy., 2001 (Includes Item 21 & 22)	1
	89-3935	COM Assy., 2001 (Includes Items 23 and 24)	
	89-9913	O-Ring Retainer Assy., SVC (Includes Items 7 and 8)	
	89-3943	Ring, Seal Support — Pre 4/99	1
	89-7577	Seal, Riser — Pre 4/99	1
	89-6602	Spring Retainer — Pre 4/99	1
	89-3927	Spring — Pre 4/99	1
	89-8451	Cover, Vandal Resistant	1
	102-0365	Tree, Nozzle, Colored	1
		SERVICE TOOLS	
		See p. 69	

S2001



Item No.	Part No.	Description	Quantity Per Assy.
1	89-3883	Cap, Rubber	1
2	102-0058	Seal, Debris	1
3	89-3885	Snap Ring	1
4	363-1493	Screw, 10 x 1.0 Phpnh, 2 HLXA	2
5	360-0530	O-Ring	2
6	89-3944	Nozzle Top Assy., Part-circle	1
6	89-7295	Nozzle Top Assy., Full-circle	1
6	89-6734	Nozzle Top Assy., Part-circle, Effluent	1
6	89-7296	Nozzle Top Assy., Full-circle, Effluent	1
7	363-3690	O-Ring	1
8	-----	O-Ring Retainer (See Service Items)	1
9	89-9399	Spring	1
10	89-3869	Shaft (PC Pin)	1
11	89-4890	Arm, Clutch (Part-circle Models Only)	1
12	89-5887	Spring, Clutch (Part-circle Models Only)	1
13	89-3928	Nut, Nozzle Base	1
14	89-9870	Base, Nozzle	1
15	89-4765	Nozzle, Main, 6.0, Yellow	1
15	89-4766	Nozzle, Main, 9.0, Orange	1
15	89-4767	Nozzle, Main, 12.0, Brown	1
15	89-8449	Nozzle, Main, 15.0, Gray	1
15	89-4768	Nozzle, Main, 18.0, Blue	1
15	89-4769	Nozzle, Main, 24.0, Green	1
16	89-8283	Nozzle, Lower, Small (White)	1
16	89-8660	Nozzle, Lower, Large (Red)	1
17	363-4096	O-Ring, #121, .103 x 1.049 x 1.255 (Yellow)	1
18	89-9427	Riser Assy.	1
19	89-5904	Brake	1
20	89-8036	Gear Drive Assy., 2001 (Includes Item 19)	1
21	89-7374	Holder, Stator	1
22	-----	Stator (See Service Items)	1
23	89-3929	Screen	1
24	35-2245	Check Valve	1
25	89-7393	Body Assy., BSP, Left Arc I.D. — Post 5/94	1
25	89-7392	Body Assy., NPT, Left Arc I.D. — Post 5/94	1
		SERVICE PARTS AND ASSEMBLIES	
	89-8202	Stator Assy., 2001 (Includes Item 21 & 22)	1
	89-3935	COM Assy., 2001 (Includes Items 23 and 24)	
	89-9914	O-Ring Retainer Assy., SVC (Includes Items 7 and 8)	
	89-3943	Ring, Seal Support — Pre 4/99	
	89-9914	Seal, Riser — Pre 4/99	
	89-7577	Seal, Riser — Pre 4/99	
	89-6602	Spring Retainer — Pre 4/99	
	89-3927	Spring — Pre 4/99	
	89-8451	Cover, Vandal Resistant	
	102-0365	Nozzle Tree, Colored	
		SERVICE TOOLS	
		See p. 69	